

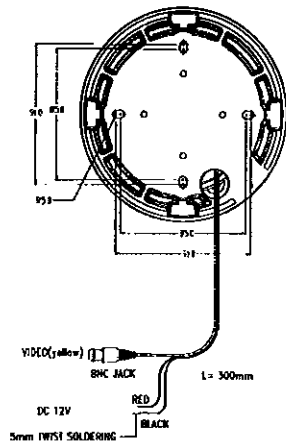
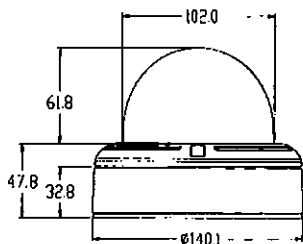
INSTRUCTION MANUAL

DAY/NIGHT VANDAL DOME CAMERA

About this manual

Before installing and using the camera, please read this manual carefully. Be sure to keep it handy for later reference.

Dimensions : mm



PRECAUTIONS

- Do not open or modify
Do not open the cabinet except during maintenance and installation, as it may be dangerous and cause damages.
- Do not put objects inside the unit
Make sure that no metal objects or flammable substances get inside the camera. It could cause fire, short-circuits or damages.
- Be careful when handling the unit
To prevent damage, do not drop the camera or subject it to strong shock or vibration.
- Install away from electric or magnetic fields
- Protect from humidity and dust
- Protect from high temperature
Be careful when installing close to the ceiling, in a kitchen or boiler room, as the temperature may raise to high levels.
- Cleaning
Dirt can be removed from the cabinet only by wiping it with a soft cloth moistened with a soft detergent solution.
- Mounting Surface
The mounting surface material must be strong enough to secure the camera.

TROUBLESHOOTING

Before sending the camera out for repair, check the items below. If the problem persists after checking these items, contact your service center.

■ If no image appears

- Is the coaxial cable attached securely?
- Are the power and voltage normal?
- Has the iris of the lens inside the camera been adjusted correctly (with the level volume)?
- Is there adequate illumination?

■ If the image is unclear

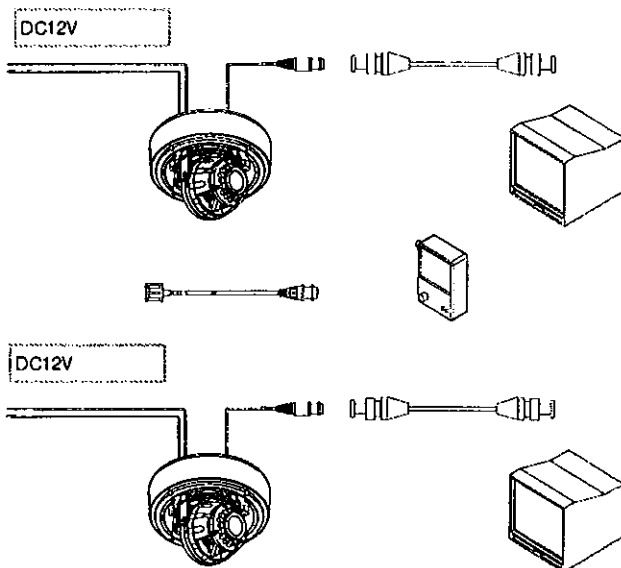
- Is the lens in focus?
- Is the lens dirty?
Dirt of fingerprints on the lens can adversely affect the images. Gently wipe any dirt or fingerprints off the lens with a soft cloth or lens cleaning paper and cleaning fluid (commercially available).
- Is the monitor adjusted correctly?

WARNING:

TO PREVENT THE RISK OF FIRE OR ELECTRIC SHOCK, DO NOT EXPOSE THIS APPLIANCE TO RAIN OR MOISTURE.

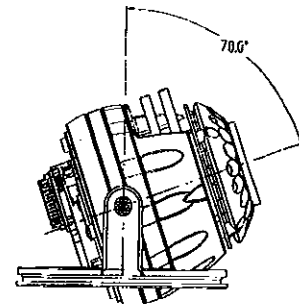
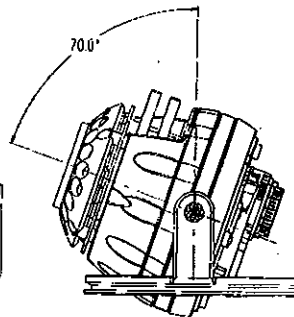
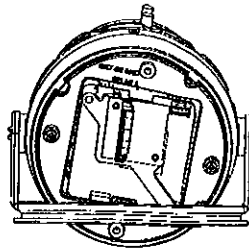
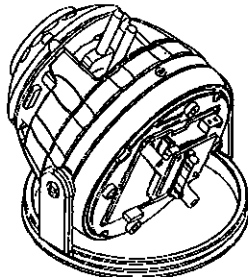
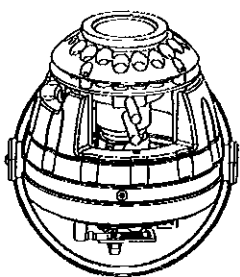
CONNECTOR AND CAMERA SETTING

■ CONNECTIONS



CONNECTIONS AND CAMERA SETTINGS

■ LENS ADJUSTMENTS

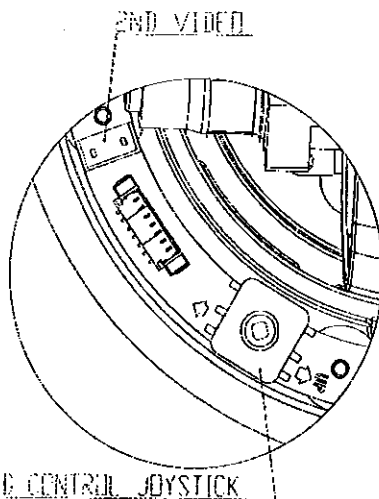


1. Adjust the panning(360°) and tilt(70°) position.
2. Setting the zoom position by using Zoom Lever Screw.
3. Setting the focus by using Focus Lever Screw.

■ CAMERA SETTINGS

● OSD SWITCH FUNCTION

SETUP	FUNTION	SUMMARY
LENS	MANUAL, DC	when using BUILT-IN lens, the type of the lens is able to fix
SHUTTER	ESC, MANUAL, FLK	MANUAL: 1/60(50) ~ 1/120,000sec
WHITE BAL.	ATW, AWC, MANUAL	ATW: 1,800 ~10,500 °K
BACKLIGHT	OFF, LOW, MIDDLE, HIGH	Backlight compensation
AGC	OFF, NORMAL, HIGH	the Brightness can be adjusted(1 ~ 70)
DNR	OFF, LOW, MIDDLE, HIGH	when AGC is turned off, DNR does not
SENS-UP	OFF, AUTO	when AGC is turned off, SENS-UP does not operate.
SPECIAL	Refer to the bottom	
EXIT		Saved all the setting menu, then exits.

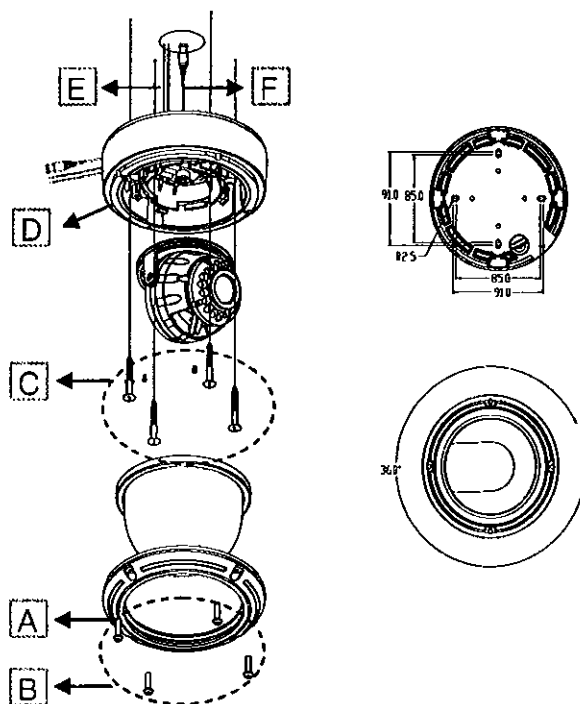


SPECIAL	FUNTION	SUMMARY
CAMER ID	uppercase or lowercase, /numeral 0~9/-, null	maximum length for the name display is limited 15letters.
DAY / NIGHT	COLOR→AUTO→B/W	AUTO : night time→ B/W mode day time → color mode , B/W : Always B/W mode COLOR : Always color mode
SYNC	INT, LL	LL mode: you can adjust desired phase from 0° ~ 359°, auto detection
MATION DETECTION	OFF, ON	ON mode: AREA(4 programmable zone) the word "MOTION DETECTED" appear on the screen when movement is detected
PRIVACY	OFF, ON	ON mode:AREA(4 programmable zone), /SIZE/TONE
MIRROR	OFF, ON	set a horizontal image inversion.
SHARPNESS	OFF, ON	the available range of level is 0 ~ 31.
RESET		returns to the level which was set by the manufacturer for shipment.
RERURN		save the SPECIAL MENU and then returns to the SETUP MENU

SPECIFICATION

MODEL	DAY/NIGHT VANDAL DOME	
	NTSC	PAL
General Spec		
CCD Type	1/3" 410K Pixels Color	1/3" 470k Pixels Color
Total number of pixels	811(H) X 508 (V)	795(H) X 596(V)
Min illumination	0.3 Lux/F1.2(50 IRE, AGC HIGH, DNR HIGH)	
Video Output	1.0Vp-p/75 ohm Composite	
Resolution	520 TV Lines(Min)	
S/N Ratio	50dB (AGC off, weight ON)	
Shutter speed	x128 : 1/80~1/120,000sec	x128 : 1/50~1/120,000sec
Sync System	Internal / External	
White Balance	ATW/AWC/MANUAL (1800 'K ~ 10,500 'K)	
OSD	Built-in	
DAY / NIGHT	AUTO / B/W / COLOR	
DNR	LOW, MIDDLE, HIGHT, OFF	
Connector		
Power Input	Wire	
Video Output	BNC Cable	
Electric Spec		
Voltage	DC 12V(10 - 20V)	
Power Consumption	Max [DC12V : 5.7 W]	
Mechanical Spec		
Lens	3.3~12.0 mm	
Dimension	300(ø) X 267.6(H)mm	
Weight	850g	
Case Color	Ivory	
Operation temp	-10℃ ~ +55℃	
In storage temp	-20℃ ~ +70℃	
Operation humidity	Under 90% (Non-condensing)	

INSTALLATION



- 1 Use the supplied L-wrench to remove the four fixing screws (B) of dome cover (A).
- 2 Align the camera unit with the surface of the ceiling, make marks on the ceiling in the places where the screw holes are to be drilled, and then drill the four holes.
- 3 Cut a hole (diameter 2.9in.73mm) in the ceiling for routing the cables.
- 4 Pass the power cable (E) and video cable (F) from the camera unit through the cable hole in the ceiling.
- 5 Align the four screw holes in the camera unit (D) with the screw holes in the ceiling, and then secure the camera in place by tightening the four or more screws (C) through the washers.
- 6 Carry out the settings and adjustments for the camera.
- 7 Secure the dome cover (A) by tightening the screws (B).